

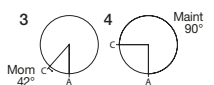
Choose one component from each of the colored sections to assemble a complete switch.  
For other options or further information please contact EAO Switch directly.



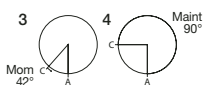
**Selector switch** **Buzzer**



Selector switch short lever  
2 position, raised, snap-  
action, solder terminals



Selector switch long lever  
2 position, raised, snap-  
action, solder terminals



Buzzer, plastic bezel, raised, 22.5mm mounting,  
24VDC, IP65, 95dB ± 8 at a distance of 0.1m

Drawing	Part No.	Action	Contact type	Drawing	Part No.	Action	Contact type	Part No.	Product description
3	14-501.025	Momentary	1NC/1NO	3	14-551.025	Momentary	1NO/1NC	14-810.002	Black plastic
4	14-506.025	Maintained	1NC/1NO	4	14-556.025	Maintained	1NO/1NC	14-810.902	Chromium-plate
For flush mount order bezel 704.955.0 or 704.955.1									

For complete switch also order **A**

For complete switch also order **A**

**Buzzer** **LED**



Buzzer, plastic bezel, flush mount,  
30.5mm mounting, 24VDC, IP40,  
95dB ± 8 at a distance of 0.1m



LED, T-5.5, single chip, 6 Volt and 12 Volt

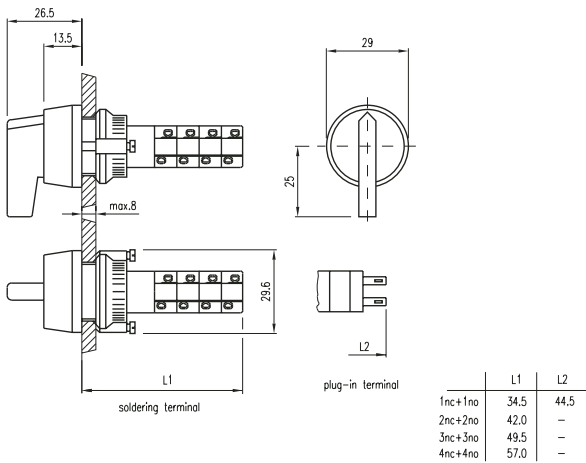


LED, T-5.5, single chip, 24 Volt and 28 Volt

Part No.	Front finish	Color	Part No.	Voltage	Color	Part No.	Voltage
14-810.910	Black plastic	Red	10-2106.3142	6VDC/15mA	Red	10-2112.1062	24VAC/DC, 7/14mA
14-810.918	Chromium-plated	Yellow	10-2106.3144	6VDC/15mA	Yellow	10-2112.1064	24VAC/DC, 7/14mA
		Green	10-2106.3145	6VDC/7mA	Green	10-2112.1065	24VAC/DC, 4/7mA
		Blue	10-2106.3146	6VDC/15mA	Blue	10-2112.1066	24VAC/DC, 7/14mA
		White	10-2106.3149	6VDC/15mA	White	10-2112.1069	24VAC/DC, 7/14mA
		Red	10-2109.1062	12VAC/DC, 7/14mA	Red	10-2113.1062	28VAC/DC, 7/14mA
		Yellow	10-2109.1064	12VAC/DC, 7/14mA	Yellow	10-2113.1064	28VAC/DC, 7/14mA
		Green	10-2109.1065	12VAC/DC, 4/7mA	Green	10-2113.1065	28VAC/DC, 4/7mA
		Blue	10-2109.1066	12VAC/DC, 7/14mA	Blue	10-2113.1066	28VAC/DC, 7/14mA
		White	10-2109.1069	12VAC/DC, 7/14mA	White	10-2113.1069	28VAC/DC, 7/14mA

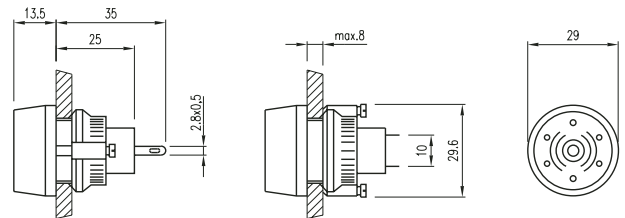
## 14 Selector, Long Lever

2-Position



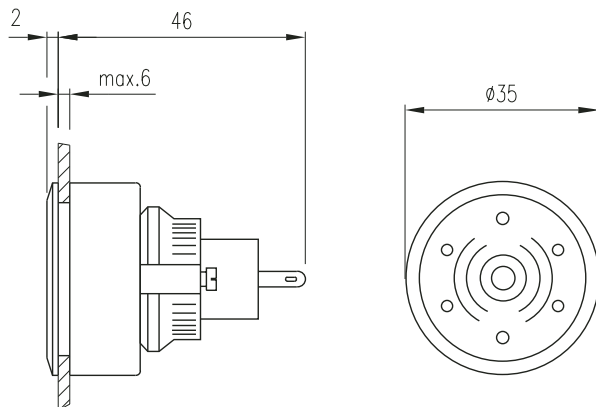
## 14 Buzzer

Raised



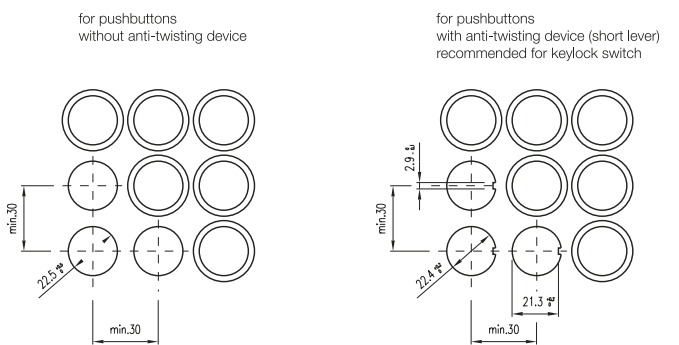
## 14 Buzzer

Flush



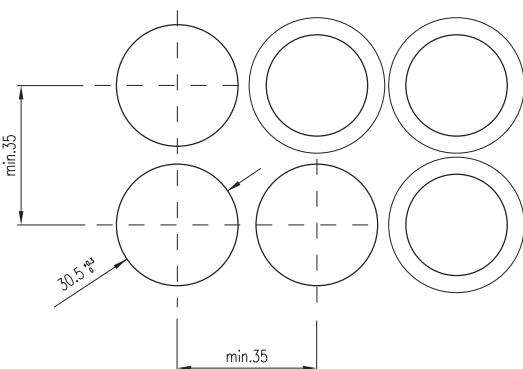
## 14 Cut-outs

Raised, Pushbuttons, Indicators, Keylocks, Short Lever



## 14 Cut-outs

Flush, Buzzer, Pushbutton, Indicator



## 14 Cut-outs

2-Position, Long, Lever Raised

